

DP® Air Classifier Mill- Applications



Pigments



Epoxy-polyester
[Powder
coating]



Anhydrite



Raspberries
dried



Tobacco



Lignite

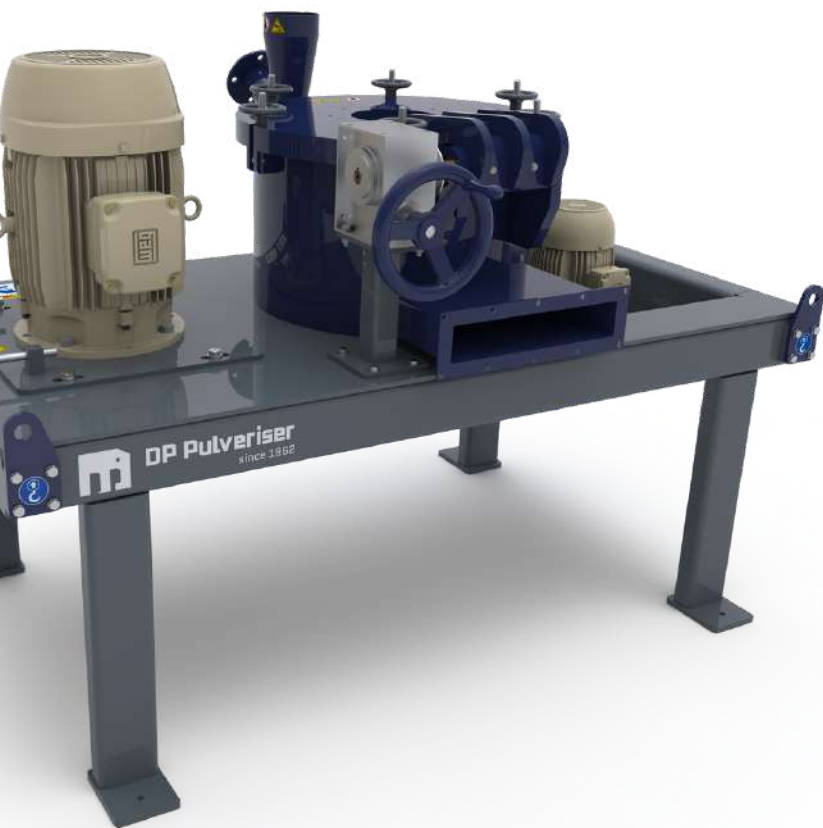


Available for testing at our
Ahmedabad Application Test
Centre

 **DP Pulveriser**[®]
since 1962

DP® Air Classifier Mill - Sizes

Model	ACM	2	5	10	15	30	40	60	75	100	120	150
Rotor drive	kW	3	5.5	7.5	11	22	30	45	55	75	90	110
Classifier drive	kW	0.55	1.1	2.2	3	5.5	7.5	11	11	15	15	18.5
Mill [max.]	1/min	11850	10450	8900	8900	5720	5770	3700	3750	2900	2950	2950
Classifier [max.]	1/min	5350	5050	4000	4050	2920	2970	2650	2700	2400	2450	2500
Air flow rate	m3/h	340	660	1030	1670	3290	4370	6430	8100	10800	12950	16250
Scale-up factor		0.2	0.5	1	1.35	2.7	3.6	5.4	6.75	9	10.8	13.5



Options & Accessories

- Design for coating of mineral powders
- Protein enrichment of flours by size reduction and air classification
- Airflow cooling technology for heat sensitive materials
- Combined drying and pulverising option
- Pressure-shock resistant up to PSR 11 bar
- Tangential air inlet



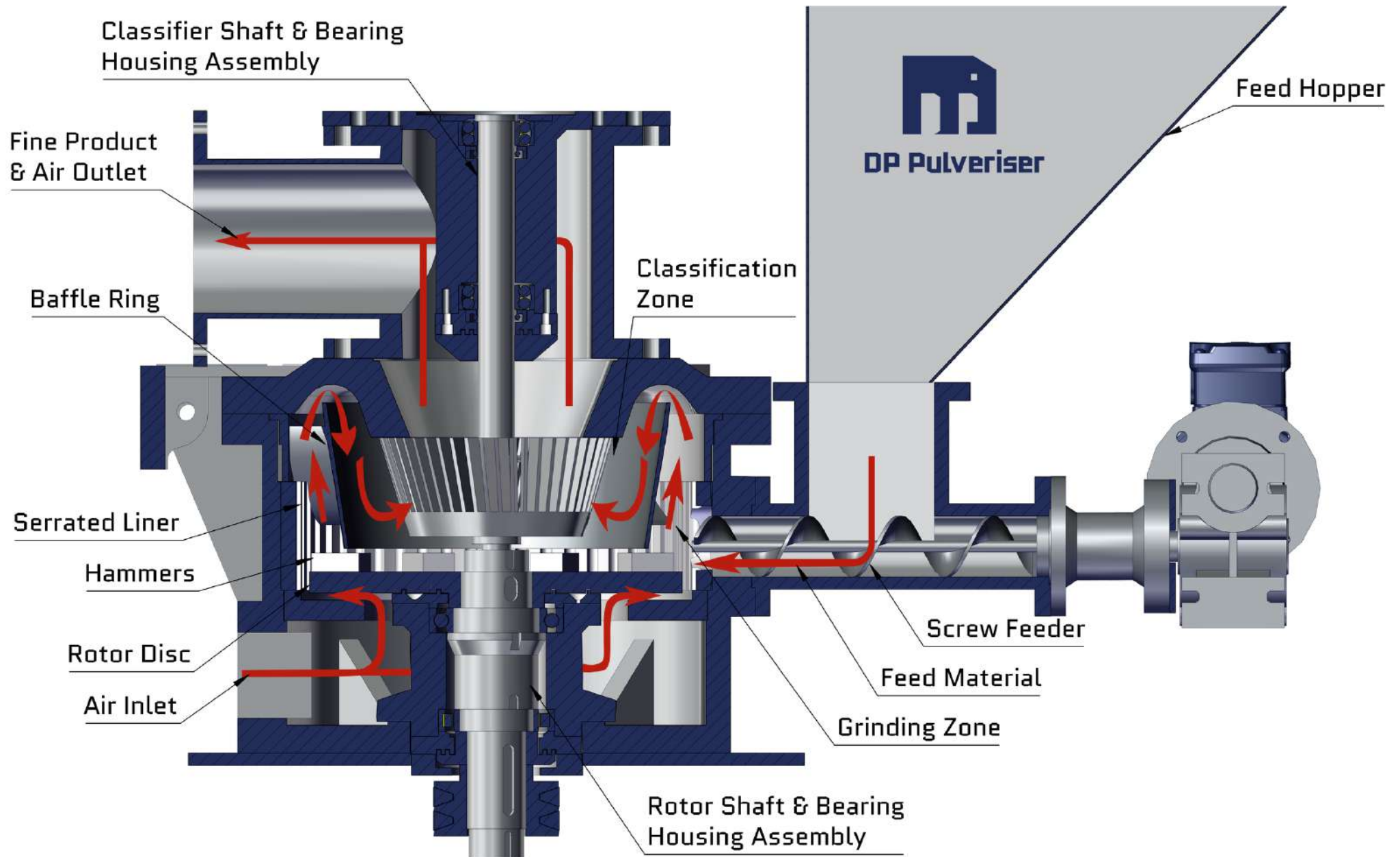
Fineness values	Application	Throughput
99% < 100 µm [150 mesh]	Pigments	100 kg/h [ACM 10]
98% < 35 µm [425 mesh]	Epoxy - Polyester	675 kg/h [ACM 30]
99% < 100 µm [150 mesh]	Raspberries dried	67 kg/h [ACM 10]
90% < 35 µm [425 mesh]	Anhydrite	5000 kg/h [ACM 150]
95% < 125 µm [120 mesh]	Tobacco	100 kg/h [ACM 10]
97% < 90 µm [75 mesh]	Lignite	2300 kg/h [ACM 200]



Features & Benefits

- Grinding and classifying in one machine
- Tailored for powder coating, pharma and food production
- Easy to clean and maintain
- Stepless easy online particle size adjustment
- Low specific energy consumption
- Suitable for combined grinding and drying
- Particularly suitable for frequent product changes
- Steep particle size distribution

DP® Air Classifier Mill - Working Principle





 **DP Pulveriser**[®]
since 1962

www.dppulveriser.com

 +91 6352496679

sales@dppulveriser.com



 **DP Pulveriser**[®]
since 1962

www.dppulveriser.com

 +91 6352496679

sales@dppulveriser.com



 **DP Pulveriser**[®]
since 1962

www.dppulveriser.com

 +91 6352496679

sales@dppulveriser.com